



APPLICATION

The Amsco Warming Cabinet is designed to raise the temperature of surgical IV and irrigation solutions and/or blankets to an acceptable level for hospital and surgical outpatient center applications.

FEATURES

Single-Compartment Model features a heating chamber available in two depths: 18" (457 mm) or 24" (610 mm) deep.

Dual-Compartment Model features an upper and lower heating chamber with independent temperature controls, and a choice of two depths: 18" (457 mm) or 24" (610 mm) deep.

Key Door Locks feature a key that is used to lock/unlock the door. The key is turned counterclockwise to lock door; clockwise to unlock door.

STANDARDS

Warming cabinet meets applicable requirements of the following standards, and carries the appropriate symbols.

- **Underwriters Laboratories (UL) Standard 61010-1, 2nd Ed.**, as certified by ETL Testing Laboratories, Inc.
- **Standard IEC 61010-2-010, 2nd Ed.**, as certified by ETL Testing Laboratories, Inc.
- **Standard CSA C22.2 No. 61010-1-04, 1st Ed.**, Standard for Electro-Medical Equipment as certified by ETL Testing Laboratories, Inc.
- **CENELEC EN 61010-1, Issued 2001/03/01.** Electrical Safety as certified by ETL Testing Laboratories, Inc.
- **IEC 61326-1, 1st Ed.**, EMC testing as certified by ETL Testing Laboratories, Inc.
- **California OSHPD Seismic Pre-Approval**
- **Medical Device Directive (93/42 IEEC)**



Dual-Compartment Model – Solid Doors (with optional mobile base)

Dual-Compartment Model – Glass Doors (with optional mobile base)

Single-Compartment Model – Solid Door

Single-Compartment Model – Glass Door

(Typical only - some details may vary.)

CONSTRUCTION

Freestanding and recessed units ship identically (with outer side, top and back covers). Outer side, top and back covers are removed for recessed installation. When recessed, unit requires a connection to building service (not provided by STERIS). The unit contains a heating chamber, instrumentation and operating controls, and a lower heated chamber when dual-compartment model is specified.

The Selections Checked Below Apply To This Equipment

MODEL

- Single-Compartment
 - 18" (457 mm) deep
 - 24" (610 mm) deep
- Dual-Compartment
 - 18" (457 mm) deep
 - 24" (610 mm) deep

MOUNTING

- Freestanding
- For Recessing

DOOR OPTIONS

- Glass
- Solid

MOBILE BASE OPTION

- Mobile Base with Bumpers and Locks

TEMPERATURE RECORDING OPTION

- USB port

VOLTAGE

- 120 V
- 230 V

DOOR LOCK OPTION

- Electronic Numeric Keypad

NOTE: All cabinets are furnished with right hand hinge. Door swing is reversible during installation.

Item _____

Location(s) _____

Corners and intersections on the face of the cabinet and door are structurally formed for rigidity, cleanability and appearance. Both models are supported on a stainless-steel integral subbase. The cabinet doors are available in solid vinyl coated galvanized steel material with stainless steel inside and include optional tempered double pane glass window(s). Interior cabinet shelves (wire racks) are polyester powder coated steel. Interior air ducts and fan guards are flame retardant Acrylonitrile Butadiene Styrene (ABS) material. If a freestanding model, the cabinet top and side panels are vinyl coated galvanized steel.

Doors are of double-wall construction with 1-1/2" (38 mm) thick insulation between the walls. Right-hand door swing is provided; swing is reversible. Door closes against a heat-resistant, magnet-embedded, vinyl gasket. Pivot type hinges are stainless steel.

Heating chamber compartment is insulated with 1" (25 mm) thick, fiberglass blanket. An impedance protected fan circulates air within the chamber to provide even heat distribution.

Lower chamber (dual-compartment model) includes two polyester powder coated steel wire rack shelves, adjustable in 3" (76 mm) increments. Door structure mounting, gasket and hinges are the same as the door on the upper chamber.

Chamber(s) is heated by an electric rod heater operating on 120 or 230 Volt, 50/60 Hz power.

The double cabinet control panel has control and temperature display functions for both cabinets. The upper cabinet control includes an on/standby key and digital temperature display. Also included is a °F/°C temperature display selection key and a SET temperature key with incremental raise/lower temperature set keys. LED lights indicate the on/standby status for cabinet heating, door ajar indication and SET selections have been made. The lower cabinet control includes an on/standby switch and digital temperature display. The lower cabinet also includes a SET temperature switch with incremental raise/lower temperature set keys. Temperature control lockout designates user adjustment.

The single cabinet control panel has control and temperature display functions including an on/standby switch, digital temperature display, °F/°C selection key and a SET temperature key with incremental raise/lower temperature set keys. LED lights indicate the on/standby status for cabinet heating, door ajar position and when SET selections have been made.

Upper compartment and single compartment controls include IV and IRR/Blanket mode setting switches, limiting temperature set ranges to 90-110°F (32.2-43.3°C) and 90-160°F (32.2-71.1°C), respectively. For lower compartment controls, the temperature selection range is 90-160°F (32.2-71.1°C).

Both controls monitor and regulate the heating of the interior compartment(s). The control for upper or single compartment ensures a temperature accuracy of ±3°F (±1.7°C) when warming IV/irrigation solution. The control for lower compartment ensures a temperature accuracy of ±5°F (±2.8°C) when warming irrigation solution.

An overtemperature alarm visually and audibly alerts operator should an overtemperature condition occur (chamber temperature greater than 10°F [5.5°C] above set temperature). In the event of an overtemperature condition, the overtemperature control automatically turns off the heater(s).

An optional USB peripheral connection allows Customer to plug a PC or laptop computer into the warming cabinet to retrieve stored temperature data from control memory. The data is stored or printed from the computer. Data capture software for use on PC is provided with the warming cabinet.

ENGINEERING DATA

Unit	Approx. Unit Wt. lb (kg)
Single-Compartment:*	
18" (457 mm) Wall/Counter Mounting	131 (60)
18" (457 mm) Recess Mounting	105 (48)
24" (610 mm) Wall/Counter Mounting	142 (65)
24" (610 mm) Recess Mounting	115 (52)
Dual-Compartment:†	
18" (457 mm) Open-Mounted	324 (147)
18" (457 mm) Recessed Mounting	288 (131)
24" (610 mm) Open-Mounted	375 (170)
24" (610 mm) Recessed Mounting	328 (149)
24" (610 mm) Mobile Base	483 (219)

* For glass door option, add 6 lb (2.7 kg).

† For all glass door options except 18" (457 mm), add 14 lb (6 kg); for 18" (457 mm) glass door option, add 48 lb (22 kg).

CONTROLS

Cabinet controls are digital and similar for single- and dual-compartment configurations. Both controls have a Main Power on/off switch.

MOUNTING ARRANGEMENT

Dual-compartment models may be installed as freestanding or recessing into a partition wall. If model is recess installed, a synthetic-rubber sealing gasket is provided to ensure close fit of cabinet front to the face of the wall partition. Recessed cabinet requires no supplementary supports behind the wall partition (except in seismic locations).

Single-compartment models may be installed freestanding on shelf or counter surfaces or recessed into a partition wall.

OPTIONS

Mobile base with bumpers (for dual 24" [610 mm] deep cabinets only). Casters are used to allow warming cabinet mobility. Press foot lever down to lock; push foot lever in to unlock.

USB port for temperature recording.

Electrical numeric keypad door locks are available for keyless entry.

PREVENTIVE MAINTENANCE

A global network of skilled service specialists can provide periodic inspections and adjustments to help ensure cost-effective performance. STERIS representatives can provide information regarding annual maintenance agreements.

NOTES

1. Due to the variety of building constructions employed, fasteners for mounting cabinet to wall are not provided by STERIS. Wall(s) must be adequately reinforced to support operating weight of cabinet.
2. Customer must ensure warming cabinet is installed per applicable seismic requirements.

INTERNAL DIMENSIONS AND CAPACITY

Unit	Upper Chamber Single Chamber Unit (Height x Width x Depth)	Lower Chamber Double Chamber Unit (Height x Width x Depth)
18" Depth	13-1/2 x 24 x 16-7/8" = 3.1 cu. ft. (343 x 610 x 429 mm)	36-1/2 x 24 x 16-7/8" = 8.5 cu. ft. (927 x 610 x 429 mm)
24" Depth	13-1/2 x 24 x 22-7/8" = 4.2 cu. ft. (343 x 603 x 581 mm)	36-1/2 x 24 x 22-7/8" = 11.6 cu. ft. (927 x 603 x 581 mm)

UTILITY REQUIREMENTS – Single Compartment Model

Electricity (E)

120 Volt, 50/60 Hz, 1-Phase, 7.0 Amps, 840 Watts; or
230 Volts, 50/60 Hz, 1-Phase, 3.6 Amps, 869 Watts

CUSTOMER IS RESPONSIBLE FOR COMPLIANCE WITH APPLICABLE LOCAL AND NATIONAL CODES AND REGULATIONS.

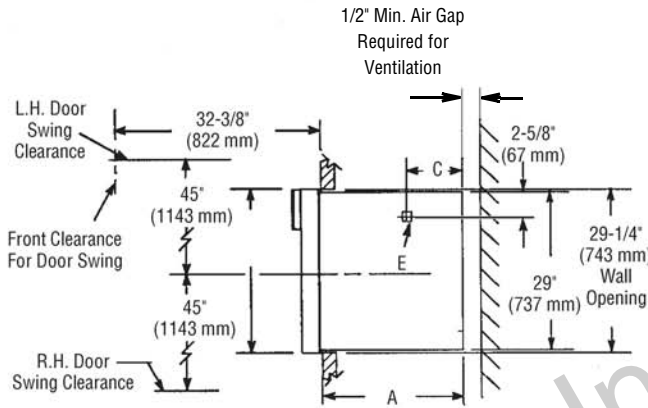
Reference listed equipment drawing for detailed installation specifications.
Obtain this drawing from your STERIS Representative.

Equip. Dwg. No.	Equipment Drawing Title
413726-637	Warming Cabinet 18" Freestanding or Recessed Single Compartment
413726-639	Warming Cabinet 24" Freestanding or Recessed Single Compartment

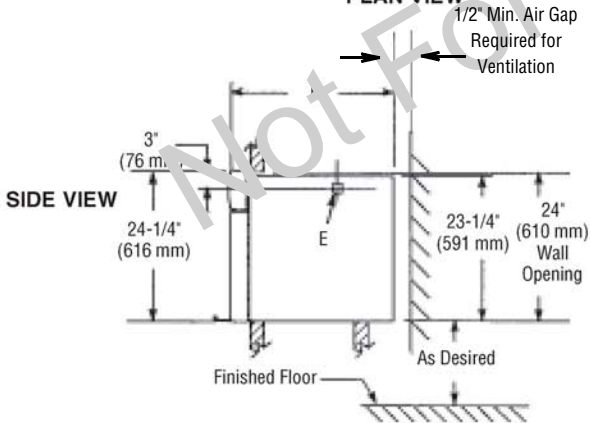
SINGLE-COMPARTMENT MODEL

Model	Dimensions – inches (mm)		
	A	B	C
18" (457 mm)	18 (517)	20-1/2" (521)	7 (178)
24" (610 mm)	24 (610)	26-1/2" (673)	10 (254)

Dimensions are typical –
drawing is not to scale.

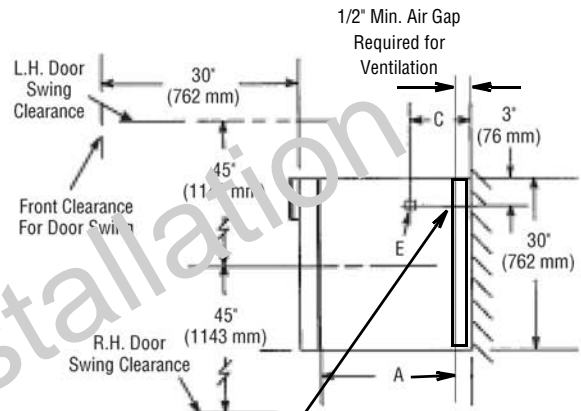


PLAN VIEW



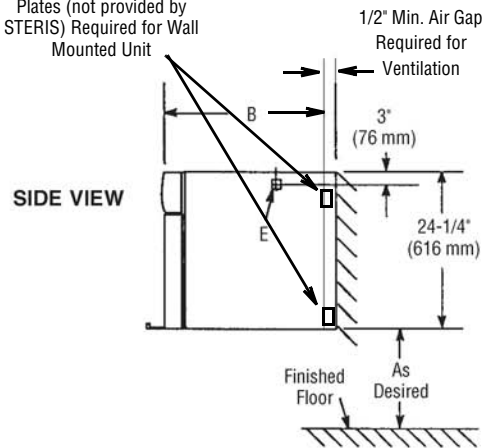
SIDE VIEW

For Recessing



PLAN VIEW

Unistrut®1 or Steel Backing Plates (not provided by STERIS) Required for Wall Mounted Unit



SIDE VIEW

Wall/Counter Mounting

¹ Unistrut® is a registered trademark of Unistrut Corporation and/or its affiliates in the United States and/or other countries.

UTILITY REQUIREMENTS – Dual Compartment Model

Electricity (E)

120 Volt, 50/60 Hz, 1-Phase 14 Amps, 1680 Watts; or

230 Volts, 50/60 Hz, 1-Phase 6.8 Amps, 1632 Watts

CUSTOMER IS RESPONSIBLE FOR COMPLIANCE WITH APPLICABLE LOCAL AND NATIONAL CODES AND REGULATIONS.

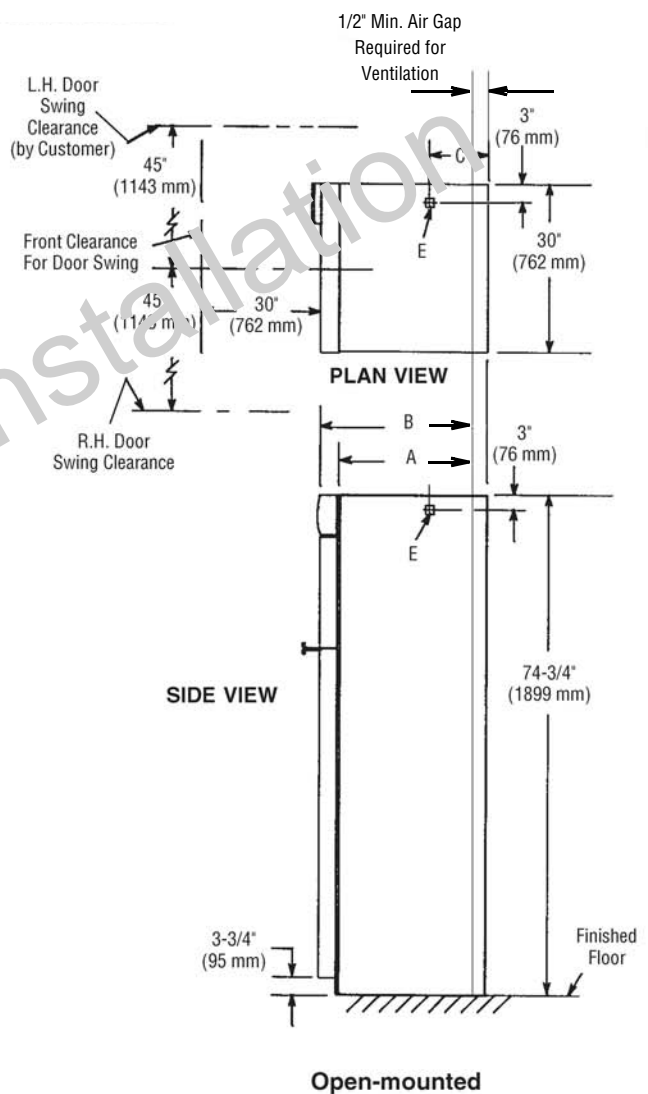
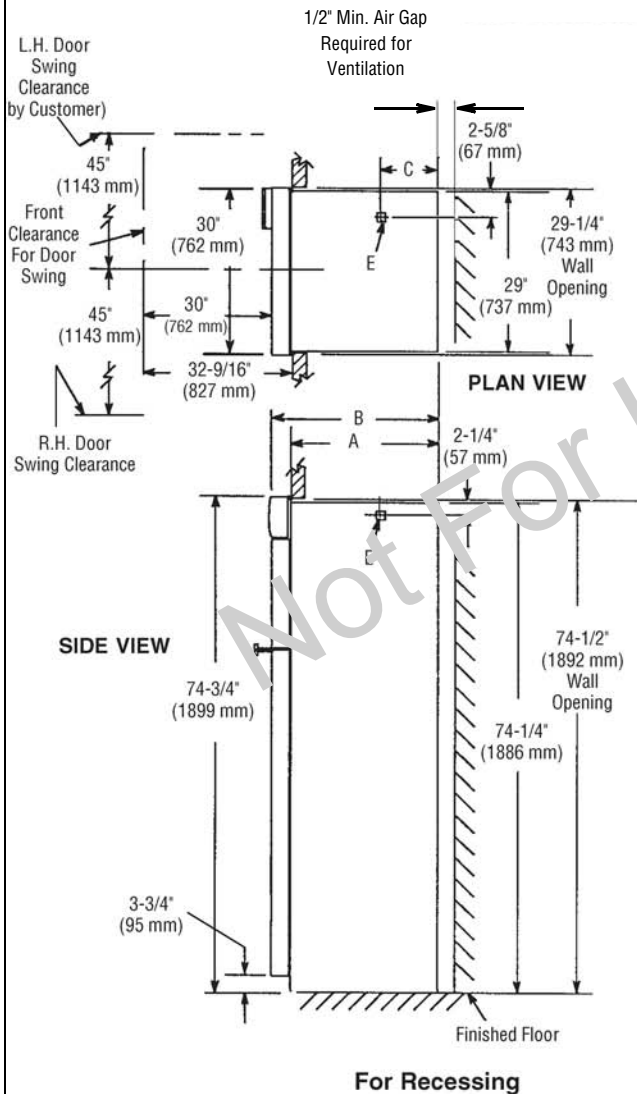
**Reference listed equipment drawing for detailed installation specifications.
Obtain this drawing from your STERIS Representative.**

Equip. Dwg. No.	Equipment Drawing Title
413726-638	30 x 18 x 74" Warming Cabinet Electric, Freestanding or Recessed Dual Compartment
413726-640	30 x 24 x 74" Warming Cabinet Electric, Freestanding or Recessed Dual Compartment

Dimensions are typical –
drawing is not to scale.

DUAL-COMPARTMENT MODEL

Model	Dimensions – inches (mm)		
	A	B	C
18" (457 mm)	18 (517)	20-1/2" (521)	7 (178)
24" (610 mm)	24 (610)	26-1/2" (673)	10 (254)

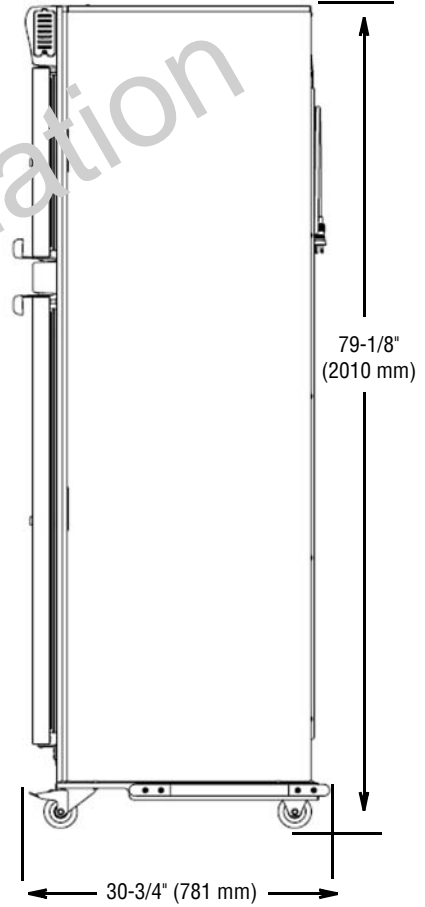
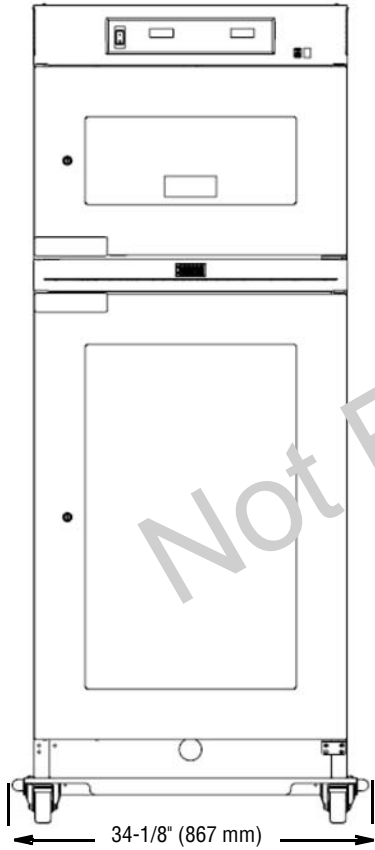


Reference listed equipment drawing for detailed installation specifications.
Obtain this drawing from your STERIS Representative.

Equip. Dwg. No.	Equipment Drawing Title
413726-641	34-1/8" x 24" x 79-1/8" Warming Cabinet Electric, Heated Storage, Dual Compartment, Mobile Base

Dimensions are typical –
drawing is not to scale.

MOBILE, DUAL-COMPARTMENT MODEL



For Further Information, contact:

STERIS®



STERIS Corporation
5960 Heisley Road
Mentor, OH 44060-1834 • USA
440-354-2600 • 800-548-4873
www.steris.com